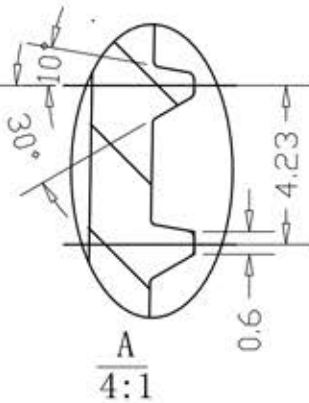
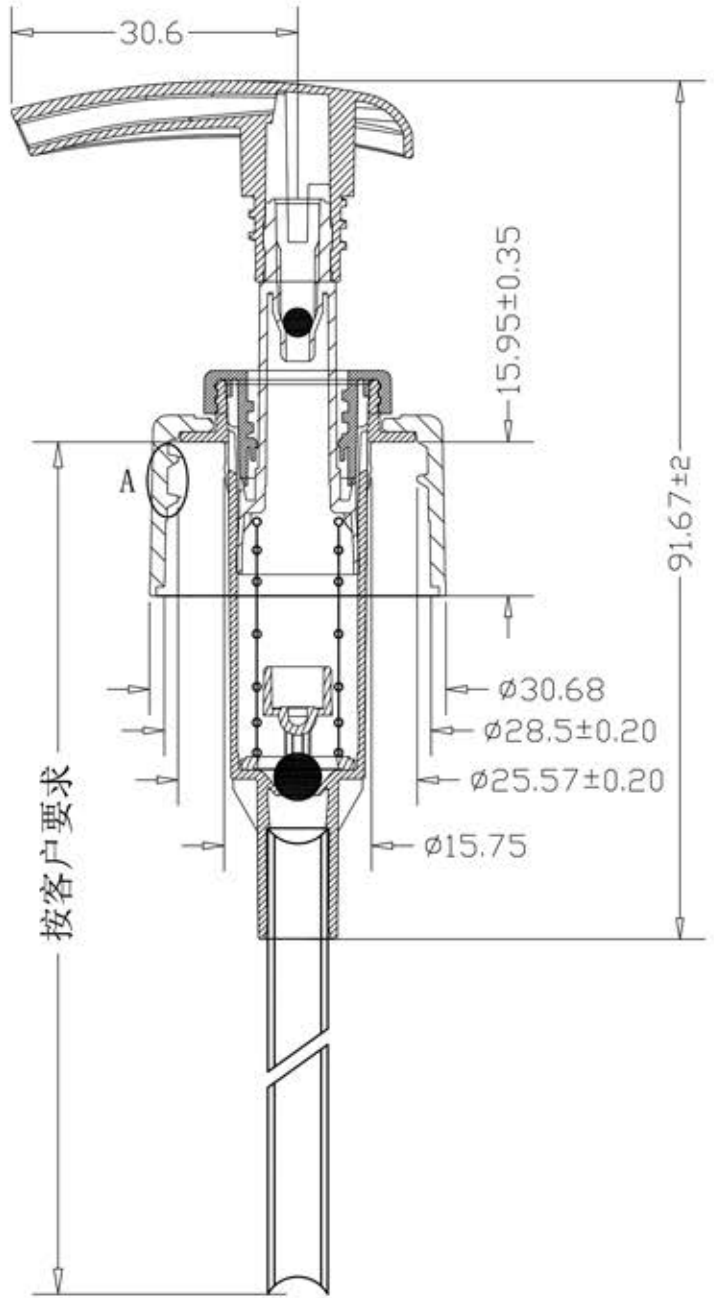
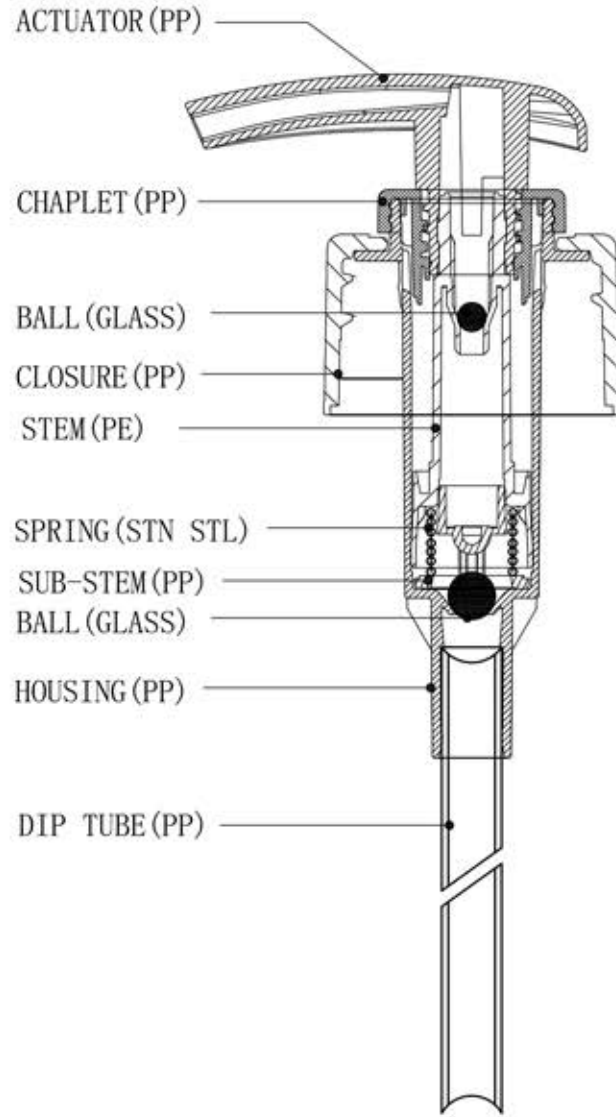


STYLE No. : E22AGA-28/410G



Unmarked Tolerance $\pm 0.5\text{mm}$

				All Rights Reserved	
				Material	Assembly Drawing
				Version	
				Dwg No.	E22AGA-28/410G-A01
				ERP No.	
				Drawing	Z:\
				Design	ZENGQIKUN20200418
				Audit	MOHENGJIN20200418
				Approval	
Marker	Before modification	After modification	Date		
				Quantity	
				Plastic	
				Cav	
				Unit	mm
				Rate	1:1
				Visual angle	
				Total 1 page(s)	The 1st page

