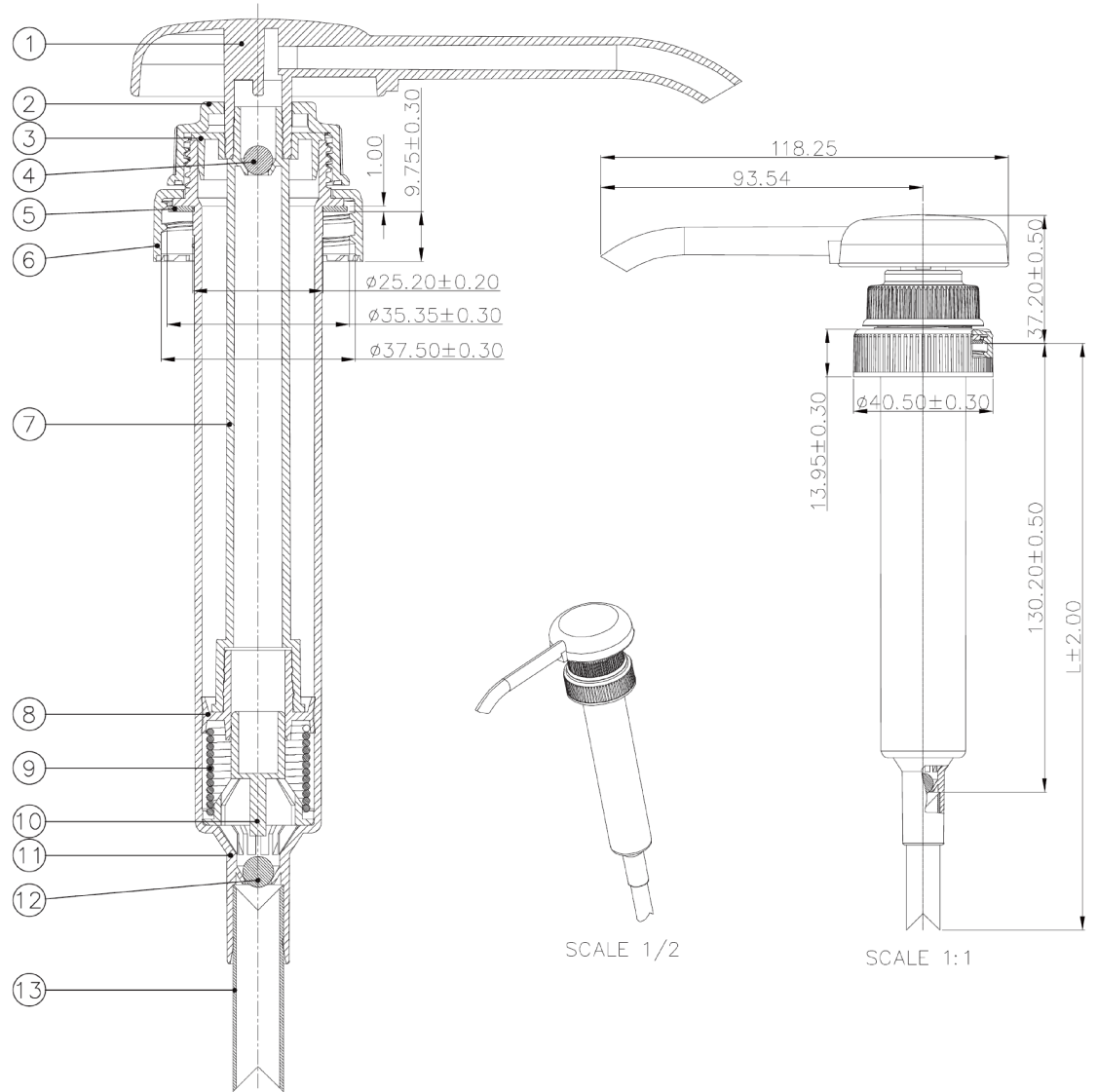


Discharge Rate: 30±3.0ML/T

13	Dip tube		LDPE	
12	Ball		GLASS	
11	Housing		PP	
10	Needle		PP	
9	Spring		SUS304H	
8	Piston		LDPE	
7	Stem		PP	
6	Closure		PP	
5	Gasket		PE	
4	Ball		GLASS	
3	Wiper		HDPE	
2	Seal		PP	
1	Actuator		PP	
Part	Parts Name	Drw. NO	Material	Weight



**NOTES:**

1. DIP TUBE LENGTH IS CUSTOMIZABLE

**DISCLAIMER**

THIS INFORMATION IS PROVIDED AS A GENERAL GUIDE, INCLUDING DIMENSIONS. IT IS THE CUSTOMER'S RESPONSIBILITIES TO SELECT THE PROPER CONTAINER FOR PRODUCT AND APPLICATION COMPATIBILITY.

DISTRIBUTED BY:



REF NO.:

DWG30008

DESCRIPTION:

38-400 PP Dispensing Pump, 30 cc Output