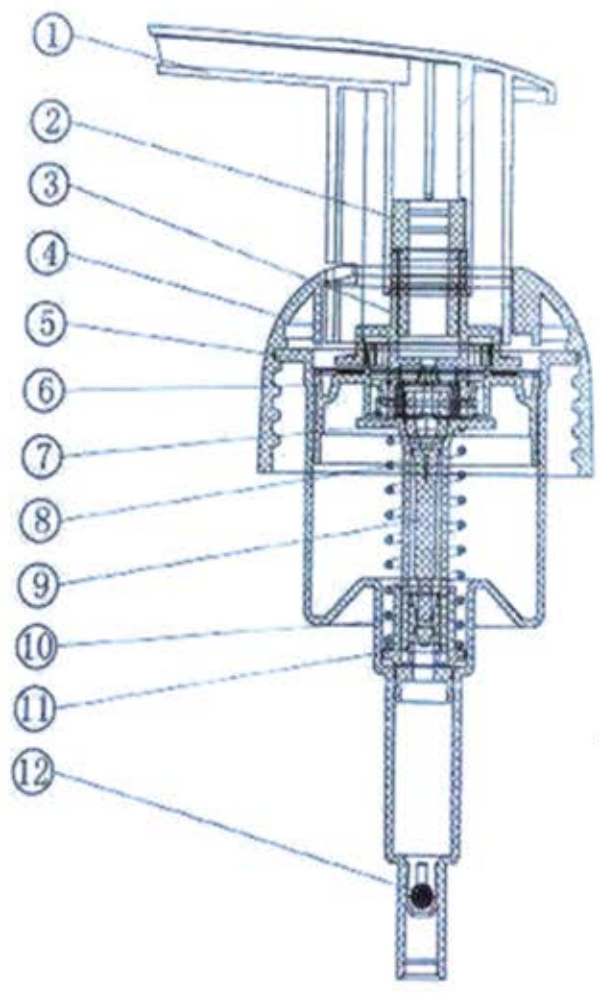
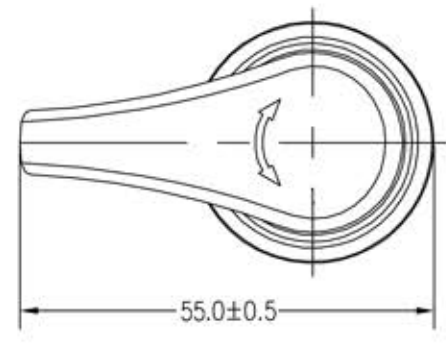
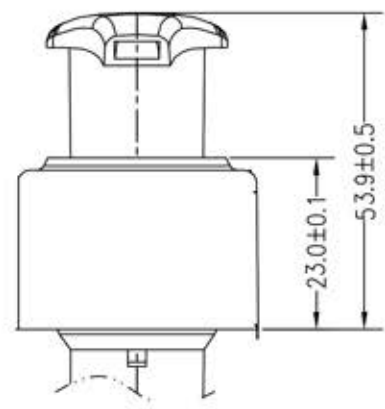


MARK	REVISER	DESCRITRN	DATE

K



- Actuator(PP)
- Piston pole(PP)
- Gasket(PE)
- Closure(PP)
- Switch(PP)
- Piston(LDPE)
- Stem insert(HDPE)
- Housing(PP)
- Spring(304H)
- Ball(Glass)
- Dip tube(LDPE)



DEMPSEY INTERNATIONAL PACKAGING

TOLERANCE			○	DRAFTER:	UNIT: mm			
0mm-15mm	±0.05	±0.10	±0.50	CHECKED:	MODEL NAME:	TITLE: ø40/410		
15mm-30mm	±0.05	±0.15	±1.00	CENSOR:	SCALE: 2.5:1	VISUAL ANGLE:	Q' TY: 1/1	REV: A0
30mm-50mm	±0.10	±0.20	±1.50	APPROVED:	PART NO:	FILE NO: D-		
50mm-99mm	±0.15	±0.30	±2.00					
ABOVE 99mm	±0.20	±0.40	±2.50					
CENTER	±0.10	±0.50	±1.00					
ANGLER	±0.25°	±0.50°	±2.00°					