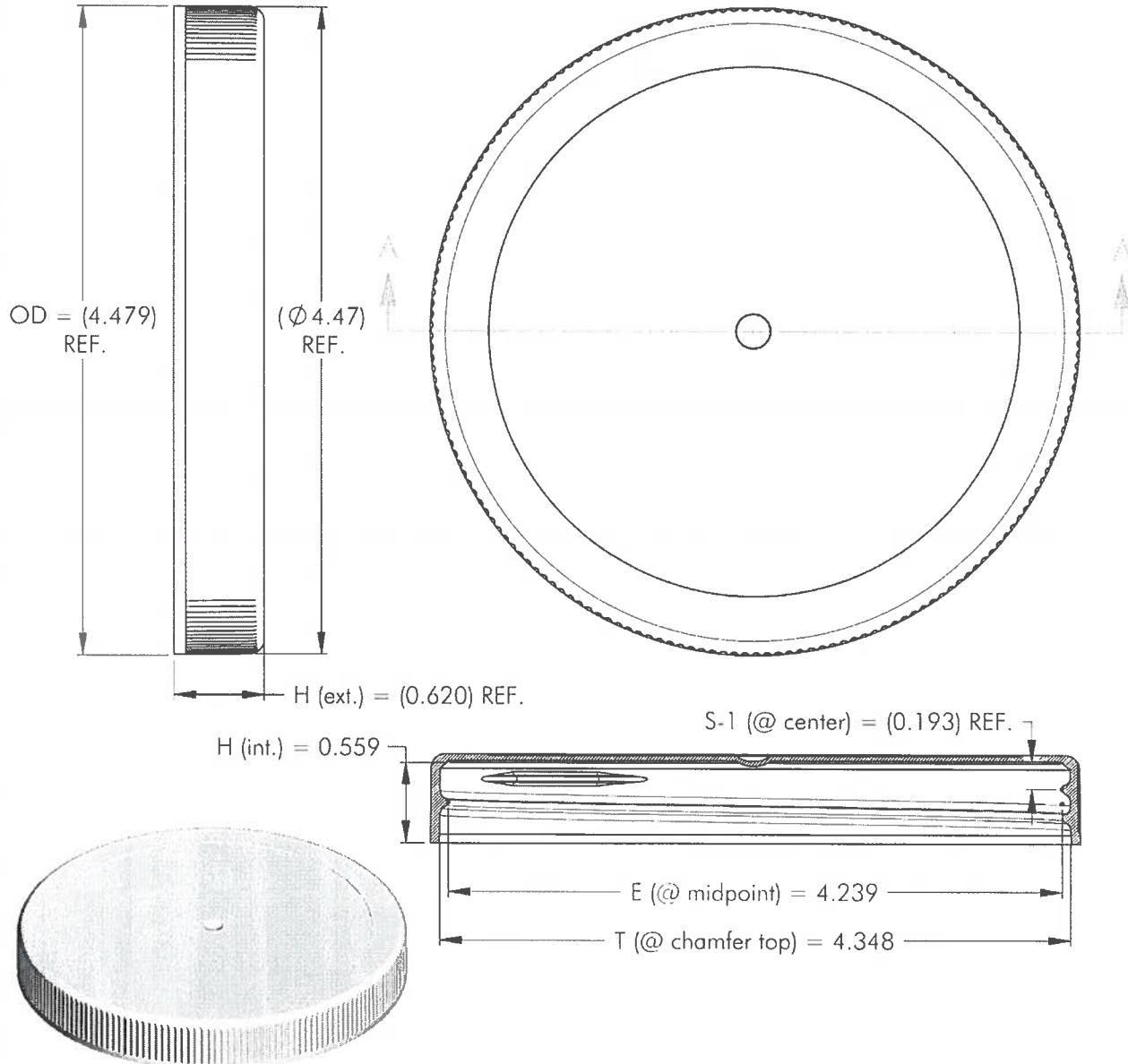




# Phoenix Closures, Inc.

Quality and Innovation Since 1890



**NOTES: (UNLESS OTHERWISE SPECIFIED)**

1. ALL DIMENSIONS ARE IN INCHES.
2. TOLERANCE ON ALL DIMENSIONS IS  $\pm 0.010"$  EXCEPT WHERE NOTED AS "REF.".

#	00.00.00	-	--	PITCH (TPI): 5	# OF TURNS: 1-1/4	MATERIAL: POLYPROPYLENE
REV	DATE	DESCRIPTION	BY	DRAWING #: 110 - 400 - 9613S		SCALE: 1 : 1
THIS OR FACSIMILE THEREOF IS THE EXCLUSIVE PROPERTY OF PHOENIX CLOSURES, INC. AND MAY NOT BE REPRODUCED WITHOUT THE EXPRESSED WRITTEN CONSENT OF PHOENIX CLOSURES, INC. SOME OR ALL OF THE ITEMS DEPICTED ON THIS DRAWING MAY BE COVERED BY CURRENT PATENTS OR PATENTS APPLIED FOR BY PHOENIX CLOSURES, INC.				DESCRIPTION: MEDIUM RIB / MATTE FINISH TOP		
				DRAWN BY: DMN	DATE: 06.29.09	APPROVED BY: LRE