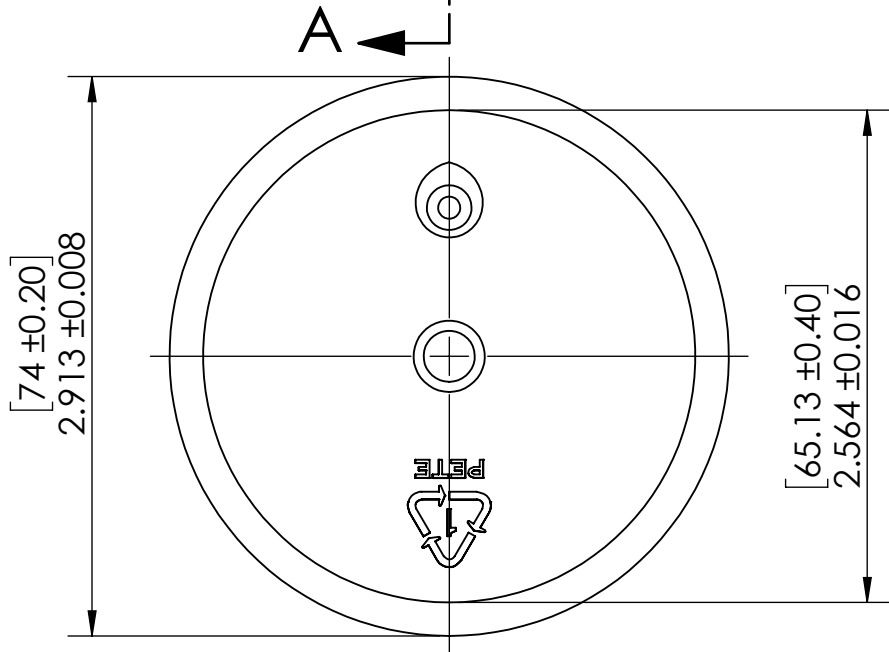


Note: 3mm Thread Pitch  
2 turns  
Weight: 30g

SECTION A-A



Dimensions unless otherwise specified:

+/- .005  
+/- 1°

THIS IS A PRELIMINARY PRODUCT DRAWING, SPECIFICATIONS ARE SUBJECT TO CHANGE.



12150 E Briarwood Avenue, Suite 204  
Centennial CO 80112

**CONFIDENTIAL**

THIS UNPUBLISHED WORK IS THE PROPERTY OF DEMPSEY INTERNATIONAL PACKAGING AND IS PROTECTED BY TRADE SECRET, COPYRIGHT AND OTHER INTELLECTUAL PROPERTY LAWS AND MAY ALSO BE SUBJECT TO A SPECIFIC OR GENERAL CONFIDENTIALITY AGREEMENT. IT IS NOT TO BE VIEWED BY UNAUTHORIZED PERSONS OR DUPLICATED IN ANY MEDIUM FOR PURPOSES OTHER THAN THOSE FOR WHICH IT IS SPECIFICALLY FURNISHED. IN THE EVENT OF PUBLICATION, THE FOLLOWING NOTICE SHALL APPLY

|   |                           |                 |                         |               |
|---|---------------------------|-----------------|-------------------------|---------------|
| PRODUCT NAME:<br><b>10oz Baby Foamer Bottle</b> |                           | DRAWING TYPE:   |                         |               |
| Notes:  |                           |                 |                         |               |
| FILE NAME:<br>10oz Baby foamer bottle           |                           | PROJECT #:      |                         |               |
| CREATED BY:<br>ITG                              | CREATION DATE:<br>2/27/20 | SHEET<br>1 of 1 | DRAWING VERSION:<br>X.X | SCALE:<br>1:1 |
|   |                           | SHEET SIZE<br>B |                         |               |